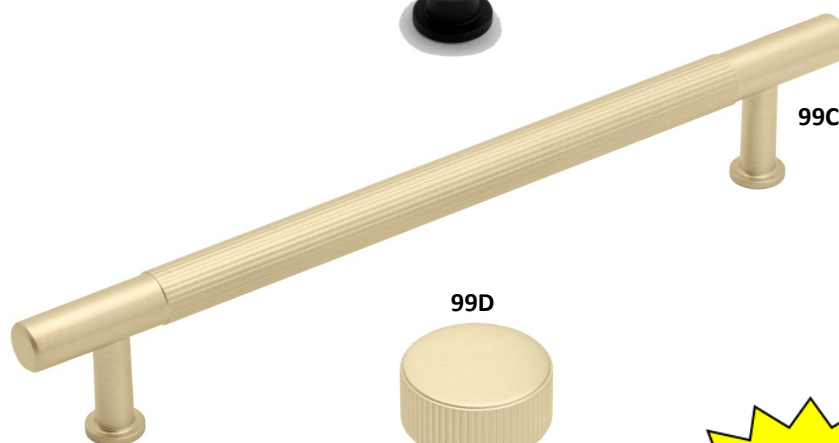
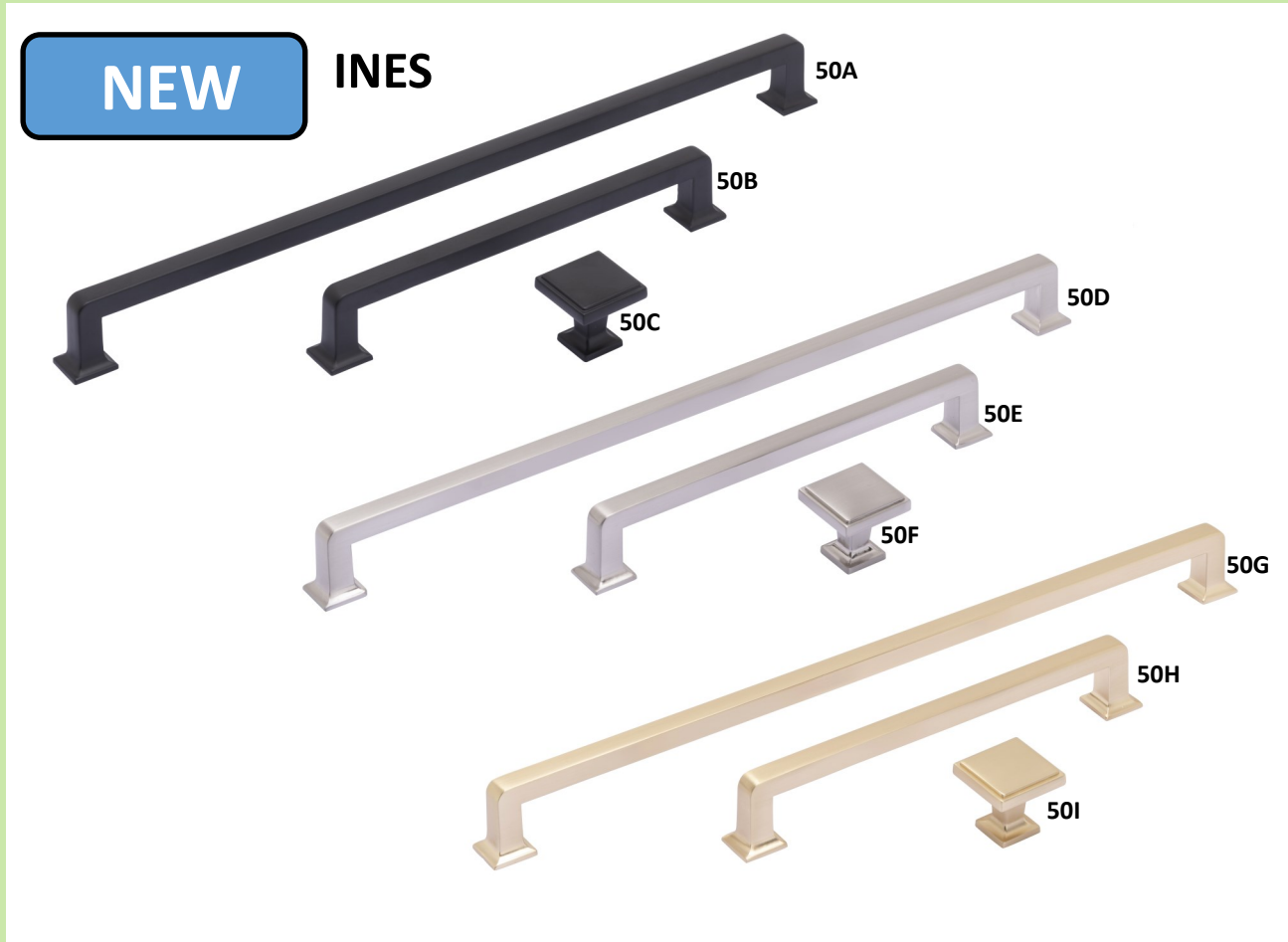


NEW

LINEA



SHORT CODE	CODE	DESCRIPTION	FINISH	CENTRES	LENGTH	THICKNESS	PROJECTION	DIAMETER
HAN99A	HANFF13760BL	T-BAR	MATT BLACK	160	200	13	35	-
HAN99B	HANFF13730BL	ROUND KNOB	MATT BLACK	-	-	-	30	30
HAN99C	HANFF13760SB	T-BAR	SATIN BRASS	160	200	13	35	-
HAN99D	HANFF13730SB	ROUND KNOB	SATIN BRASS	-	-	-	30	30



SHORT CODE	CODE	DESCRIPTION	FINISH	CENTRES	LENGTH	THICKNESS	PROJECTION
HAN50A	HANFF13420BL	D HANDLE	MATT BLACK	320	336	13	30
HAN50B	HANFF13460BL	D HANDLE	MATT BLACK	160	176	13	30
HAN50C	HANFF13400BL	SQUARE KNOB	MATT BLACK	-	29	-	29
HAN50D	HANFF13420BN	D HANDLE	BRUSHED NICKEL	320	336	13	30
HAN50E	HANFF13460BN	D HANDLE	BRUSHED NICKEL	160	176	13	30
HAN50F	HANFF13400BN	SQUARE KNOB	BRUSHED NICKEL	-	29	-	29
HAN50G	HANFF13420CPG	D HANDLE	CHAMPAGNE GOLD	320	336	13	30
HAN50H	HANFF13460CPG	D HANDLE	CHAMPAGNE GOLD	160	176	13	30
HAN50I	HANFF13400CPG	SQUARE KNOB	CHAMPAGNE GOLD	-	29	-	29

NEW

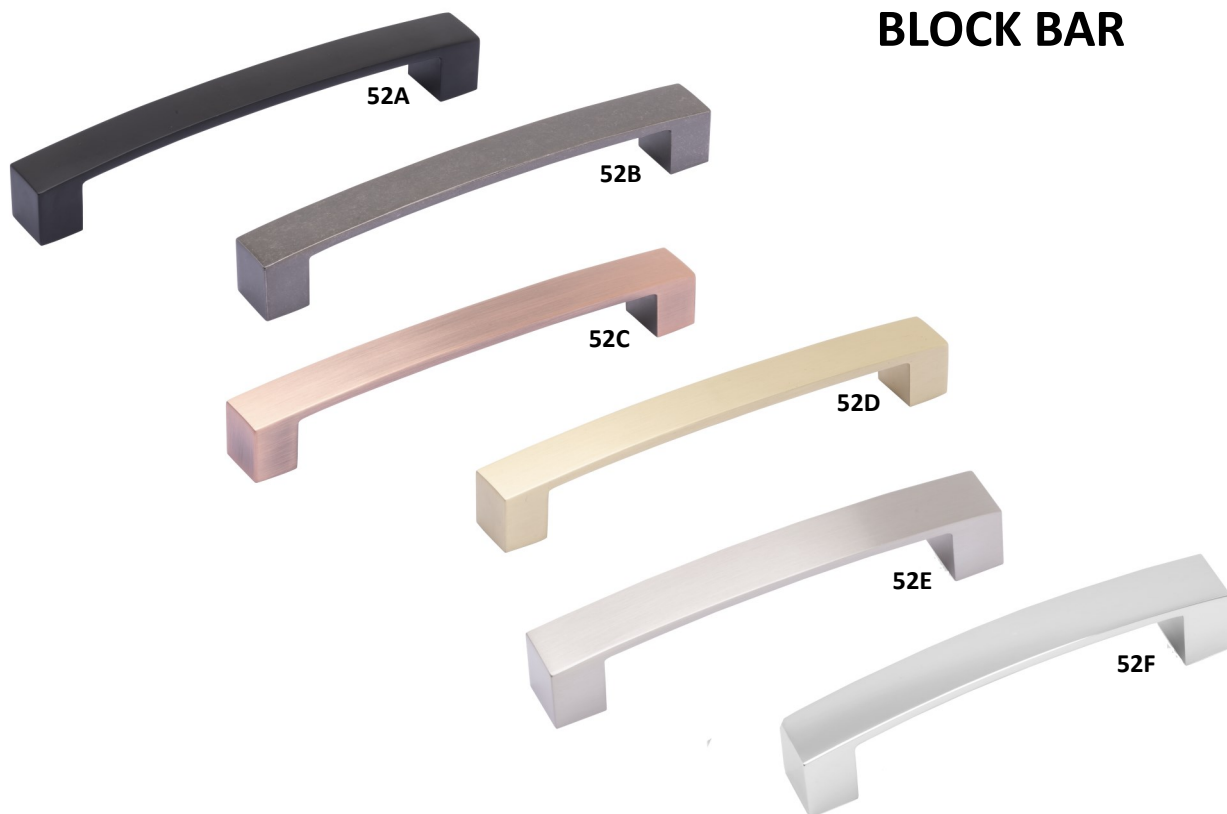
RENNE



SHORT CODE	CODE	DESCRIPTION	FINISH	CENTRES	LENGTH	THICKNESS	PROJECTION
HAN51A	HANFF13520BL	D HANDLE	MATT BLACK	320	326	15	22
HAN51B	HANFF13560BL	D HANDLE	MATT BLACK	160	166	15	22
HAN51C	HANFF13520BN	D HANDLE	BRUSHED NICKEL	320	326	15	22
HAN51D	HANFF13560BN	D HANDLE	BRUSHED NICKEL	160	166	15	22
HAN51E	HANFF13520CPG	D HANDLE	CHAMPAGNE GOLD	320	326	15	22
HAN51F	HANFF13560CPG	D HANDLE	CHAMPAGNE GOLD	160	166	15	22

NEW

BLOCK BAR



SHORT CODE	CODE	DESCRIPTION	FINISH	CENTRES	LENGTH	THICKNESS	PROJECTION
HAN52A	HANFF47760BL	D HANDLE	MATT BLACK	160	177	20	30
HAN52B	HANFF47760PE	D HANDLE	PETWER	160	177	20	30
HAN52C	HANFF47760ACH	D HANDLE	ANTIQUE COPPER	160	177	20	30
HAN52D	HANFF47760SB	D HANDLE	SATIN BRASS	160	177	20	30
HAN52E	HANFF47760BN	D HANDLE	BRUSHED NICKEL	160	177	20	30
HAN52F	HANFF47760CH	D HANDLE	CHROME	160	177	20	30